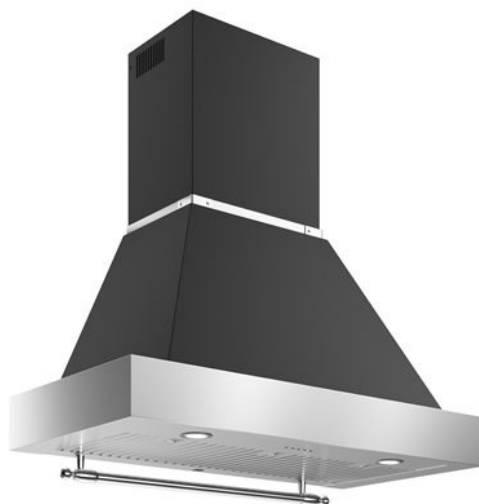


## 100 cm Wall Mount, 1 motor Heritage Series



### **K100HERTX+KC36HERTNE**

Perfectly harmonized with the 90 cm Heritage Series design, this hood with stainless steel baffle filters has a base in stainless steel and canopy available in matching color. This hood is equipped with 4 settings extraction levels, including booster. Two LED lights give bright worktop illumination.

The hood chimney is height adjustable.

Recirculation kit option available.

[Guarda online](#)

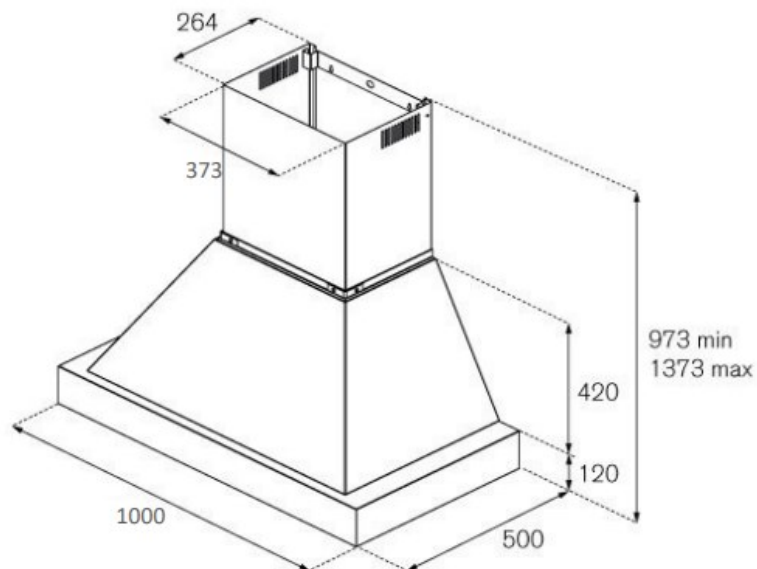
# Spécifications

## Features

### General features

Size	100 cm
Hood type	wallmount
Hood control	electronic with buttons
Duct cover	included
Motor	1
Speed	3 + booster
Filters type	baffle stainless steel
Lights	2 LED
Timer	yes
Sound rating	60 dBA
Output air extraction (m <sup>3</sup> /h)	752 m3h
Energy class	A
Voltage and frequency	220/240 V - 50/60 Hz

## Dimensions



---